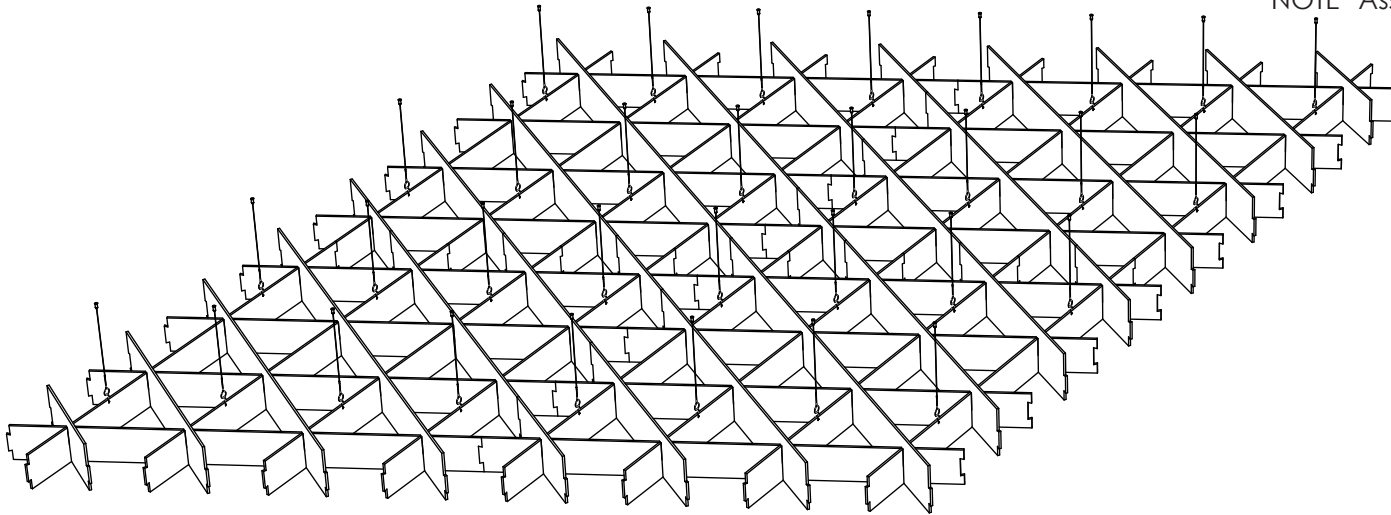


ACOUSTIC CONNECT Cirrus INSTALL GUIDE

NOTE Assembly of multiple Systems shown



CROWN
SURFACE SOLUTIONS

www.crownsurfacesolutions.com
e: info@crownsurfacesolutions.com
p: 416.245.2900

ACOUSTIC CONNECT

MAKE SITE READY

Tips for Installation:

1. We recommend using a laser level for easy marking out and aligning systems
2. Check and count package components to be sure all parts are supplied before beginning
3. We would recommend a rendered print out of the layout to aid install
4. Check for low hanging services and lighting as the system will need to fit around or below these.
Some site modification may be required on site by installer if obstruction present.

Note: *this install guide is a recommendation only. Installer is responsible for site assesment to determine whether install guide is suitable for the application*

You Will Need:

1. Measuring tape
2. Pencil
3. Wide field laser level
4. Stanley Knife
5. Straight edge/Combination square
6. Ladder or work platform/scaffold
7. Drill and driver
8. Suitable countersunk screws for ceiling type

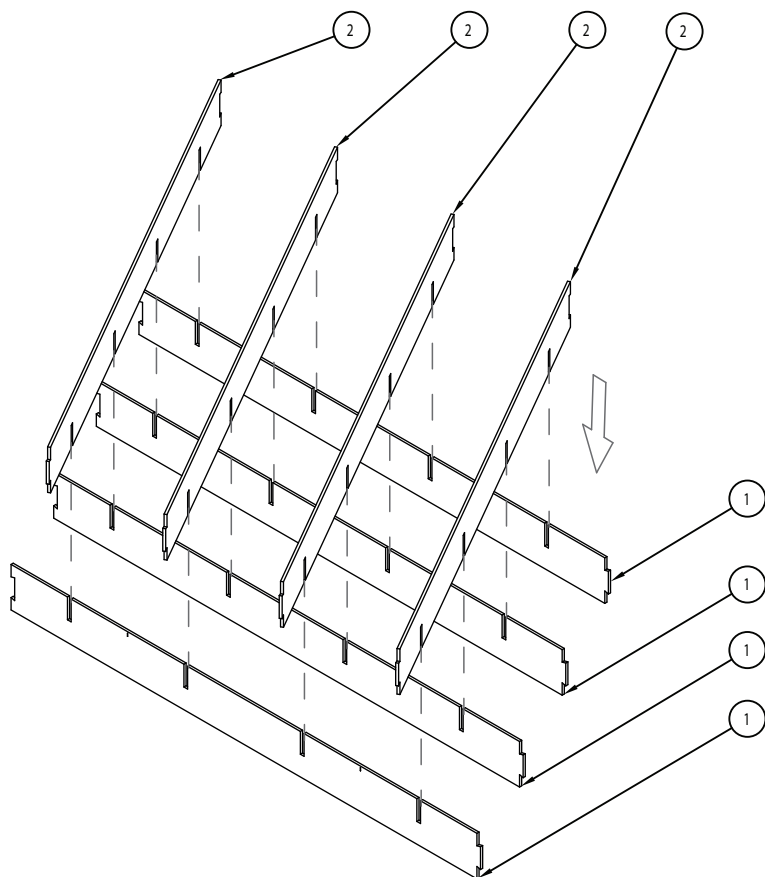
ACOUSTIC CONNECT

ASSEMBLY METHOD - CIRRUS

STEP 1

1) Interlock blades 1 and 2 as shown below. This will be a loose fit until step 2 is complete.

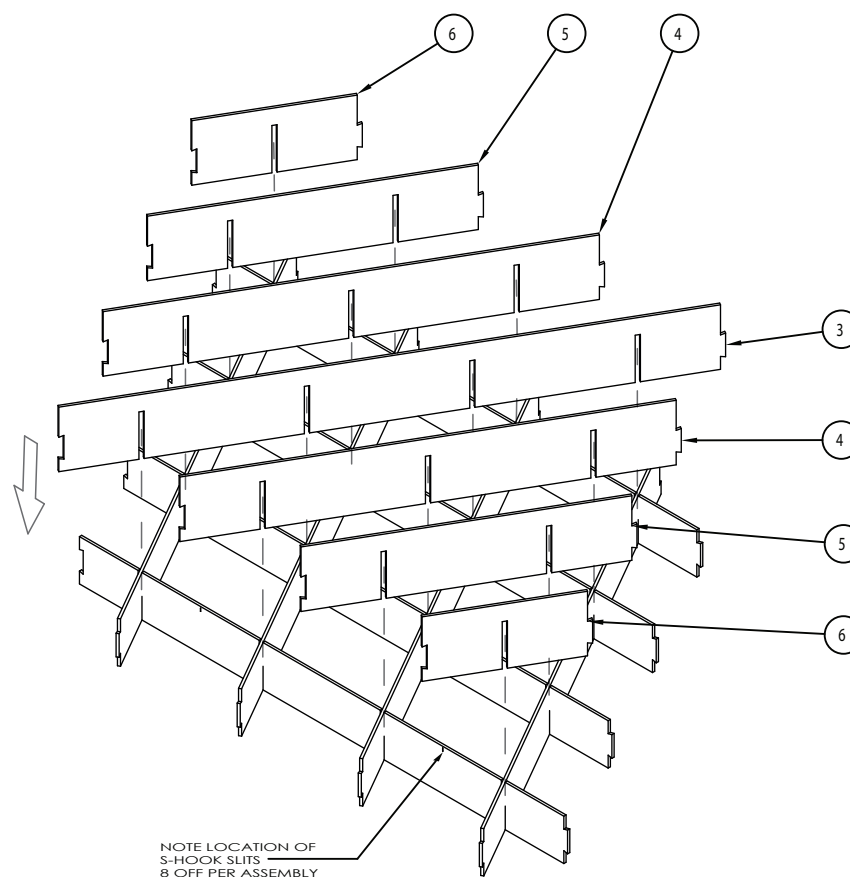
NOTE keep all male and female dovetail joints on the same side



STEP 2

2) Interlock blades 3-6 into assembly as shown. Slot will slide over intersection of blades 1 and 2. This will lock in any lateral movement.

NOTE again note direction of dovetail joins



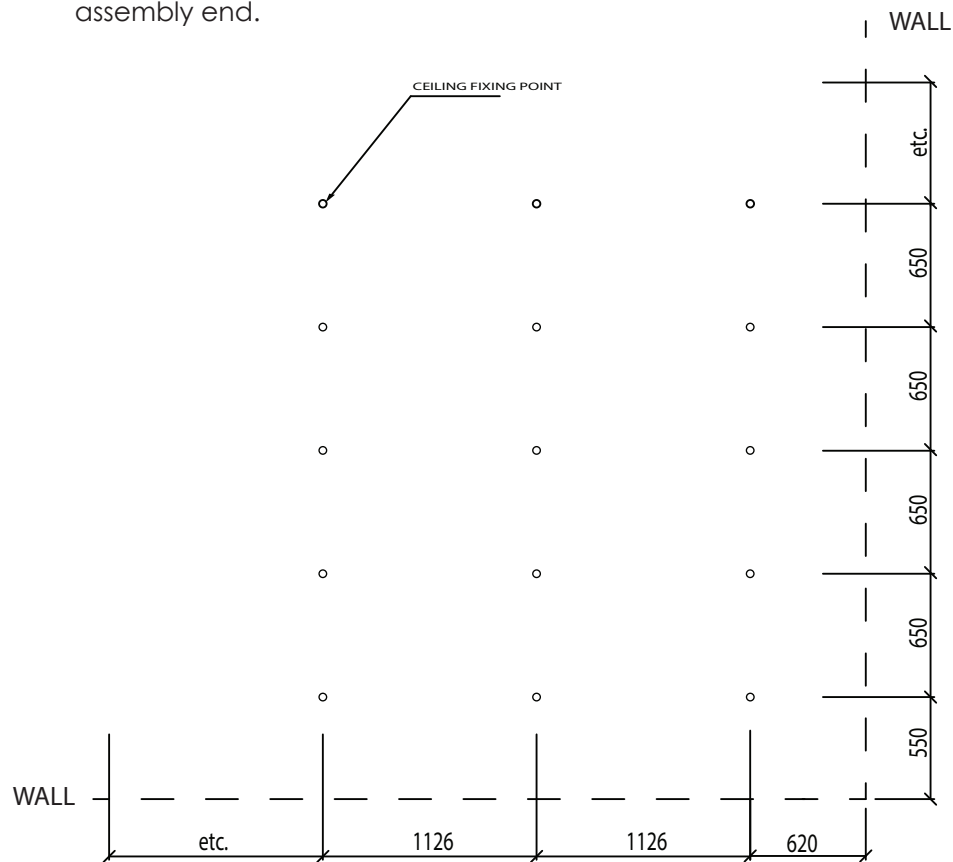
ACOUSTIC CONNECT

INSTALL METHOD

STEP 3

3) Mark fixing points on ceiling starting from one corner of room as per layout below. Dimensions include allowance for end cappers. If offset from wall is specified, add this distance to first rows below. We would recommend leaving an offset/express gap of 10-20mm to minimise the impact of any bowing in the wall. *This is not included in measurements below.*

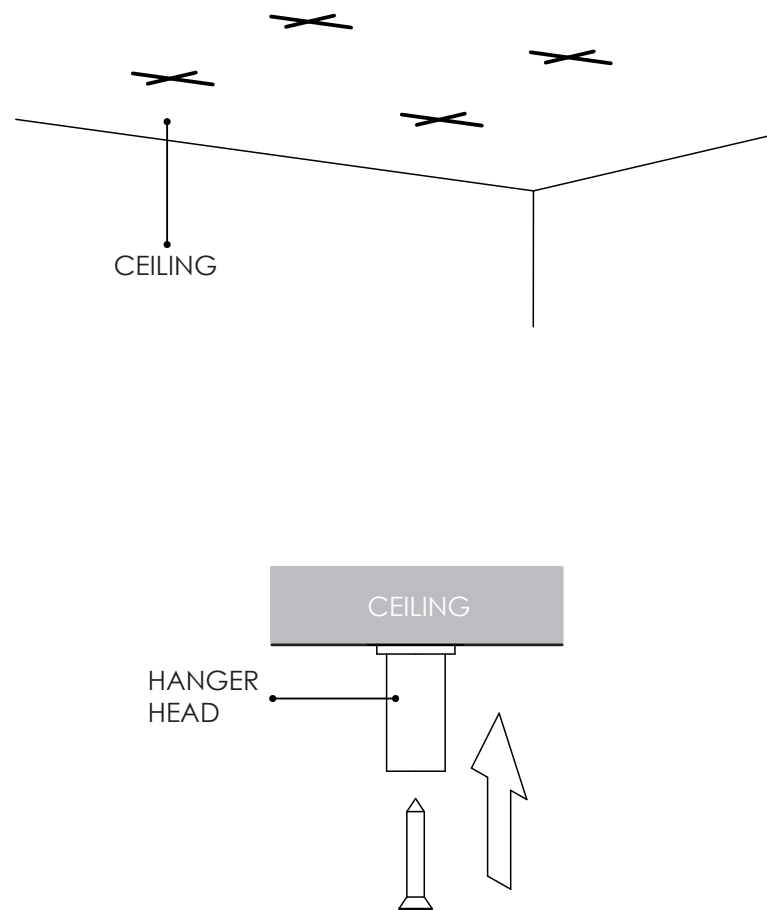
Continue with this until you reach terminating walls or assembly end.



TIP: A wide field laser level will help with marking out

STEP 4

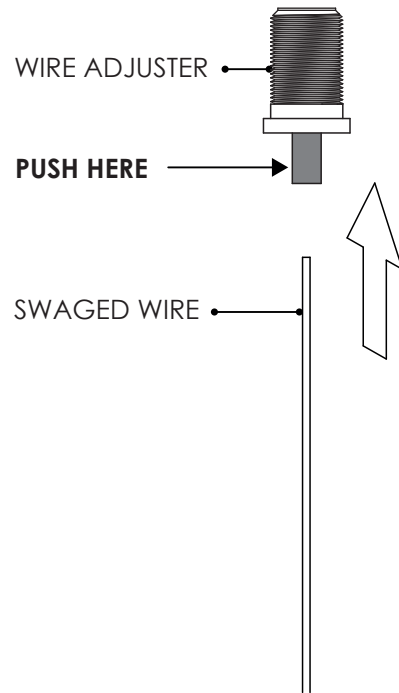
4) Consult the “**Baresque Systems Fixing Directory**”, select the appropriate fixing method for your substrate & install ‘**hanger heads**’ to ceiling in marked locations. **Please note, screws are not supplied.**



ACOUSTIC CONNECT INSTALL METHOD

STEP 5

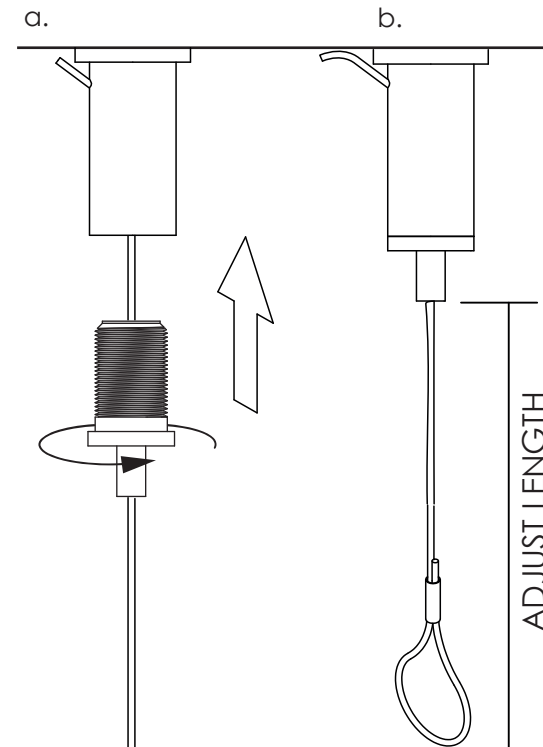
5) Feed swaged wire through tip of 'wire adjuster' (as shown). Push button (shown in grey) to adjust wire length. Release the button to lock in place.



STEP 6

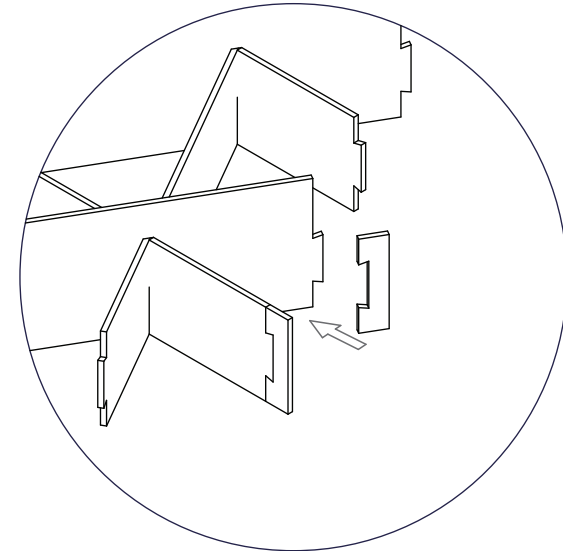
6) Feed swaged wire through hole in the side of 'hanger head'. Screw 'wire adjuster' into 'hanger head', then adjust wires so they finish at the same length. Refer to specified height above floor level for this measurement.

TIP: Be sure to include depth of blades in height measurement



STEP 7

7) Fit end cappers to dovetail joints that will be exposed or against walls

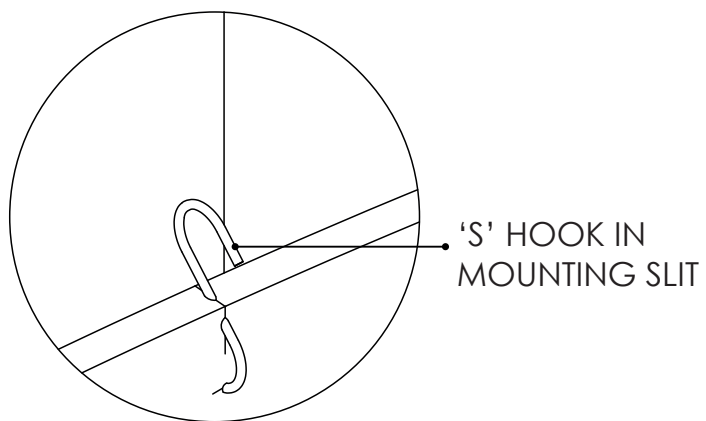


ACOUSTIC CONNECT

INSTALL METHOD

STEP 8

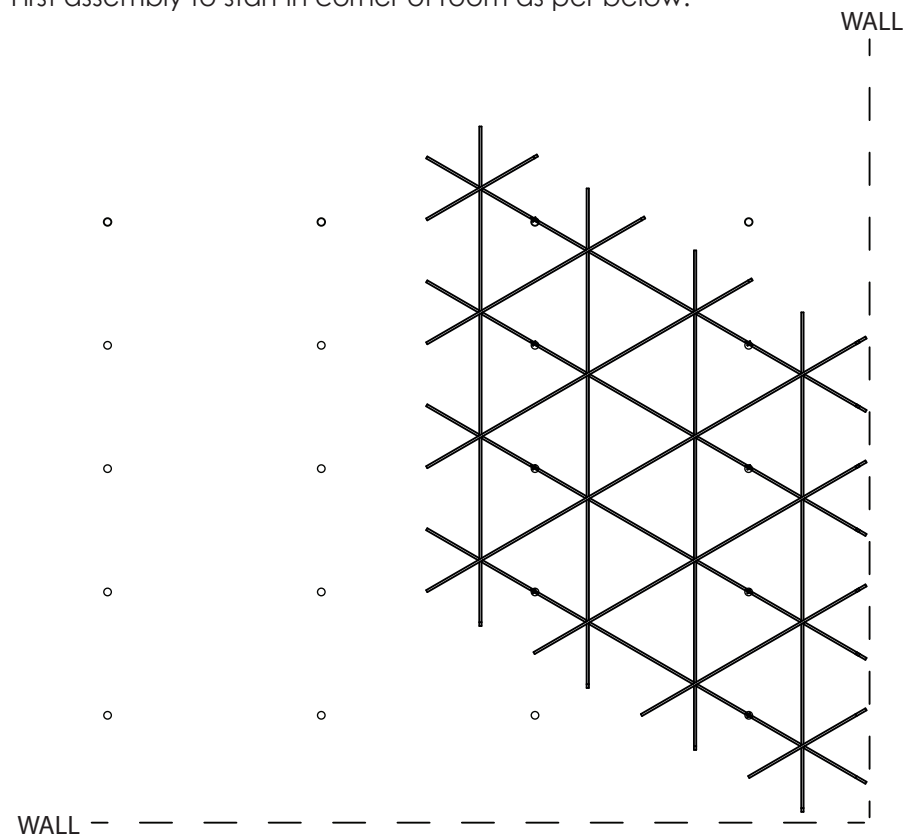
8) Fit S-Hooks into precut slits in zintra profiles



STEP 9

9) Suspend assembly by looping 'S' hooks through swaged wire.

First assembly to start in corner of room as per below.



TIP: We recommend a panel lifter for lifting assembly safely and accurately

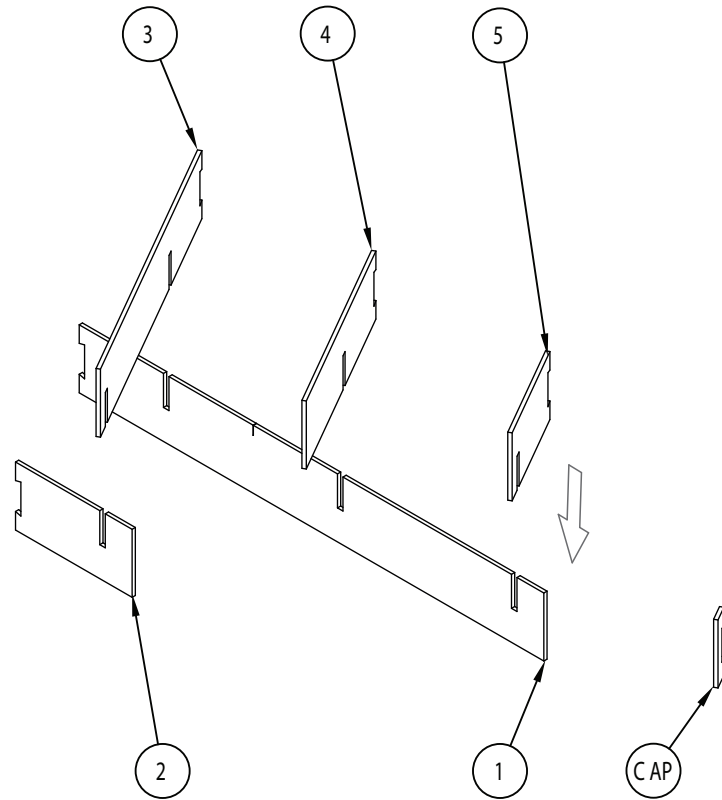
ACOUSTIC CONNECT

ASSEMBLY METHOD - CIRRUS 1A

STEP 10

10) Interlock blades 1 to 5 as shown below. This will be a loose fit until step 11 is complete.

NOTE part number 6 is an end piece which will fit onto adjacent system

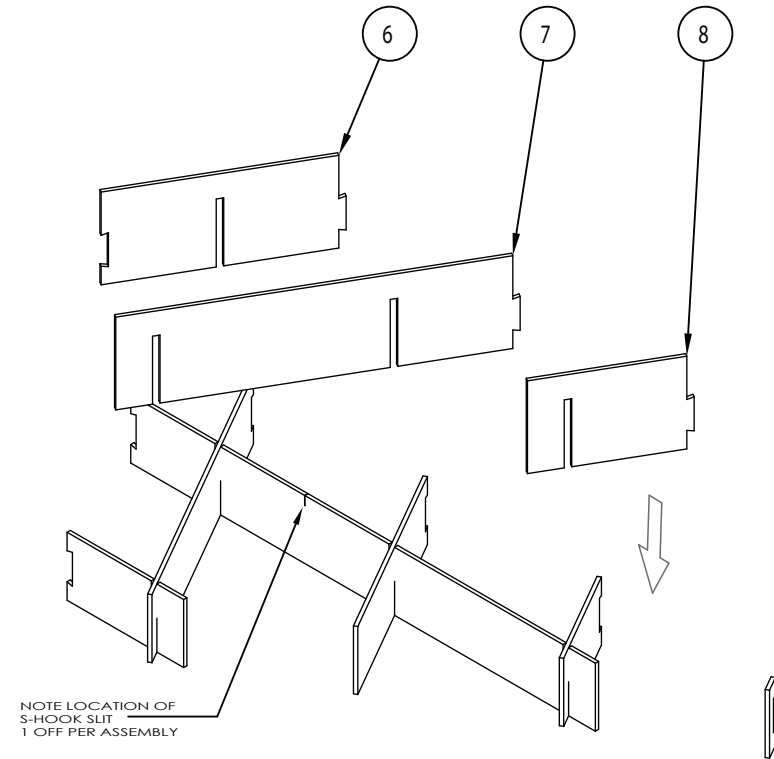


STEP 11

11) Interlock blades 6-8 into assembly as shown. Slot will slide over intersection of blades 1 to 5. This will lock in any lateral movement.

Fit S-hooks into precut slit in Zintra profile

NOTE note direction of dovetail joins

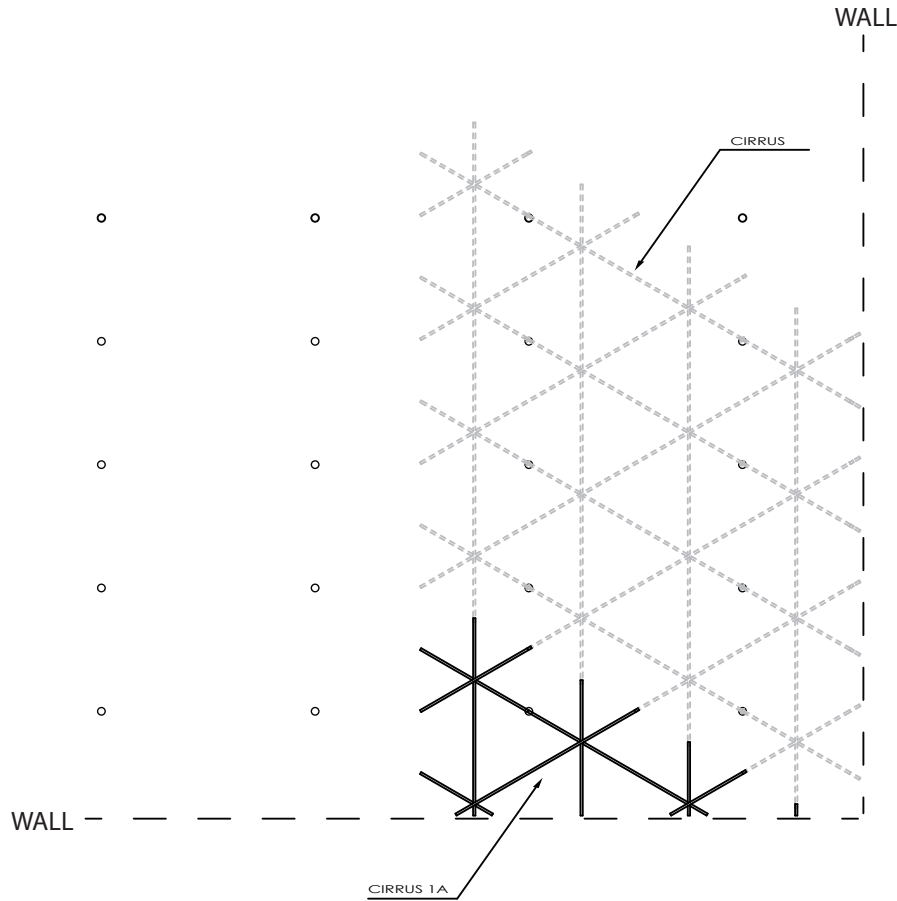


ACOUSTIC CONNECT INSTALL METHOD

STEP 12

12) Suspend assembly by looping 'S' hooks through swaged wire.

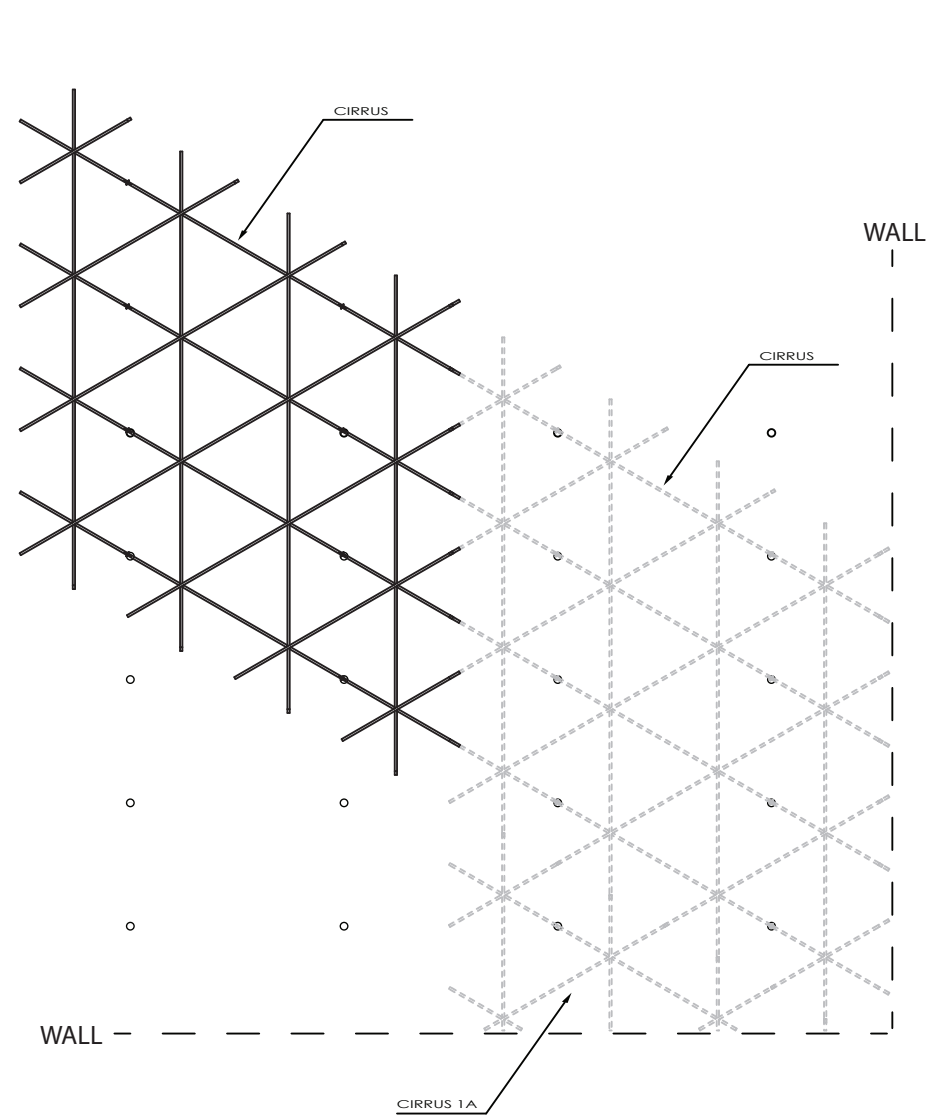
Fit assembly to adjacent system installed in step 9.
Locate dovetail joins and press fit together



STEP 13

13) Suspend next full assembly by looping 'S' hooks through swaged wire.

Fit assembly to adjacent system installed in step 9.
Locate dovetail joins and press fit together



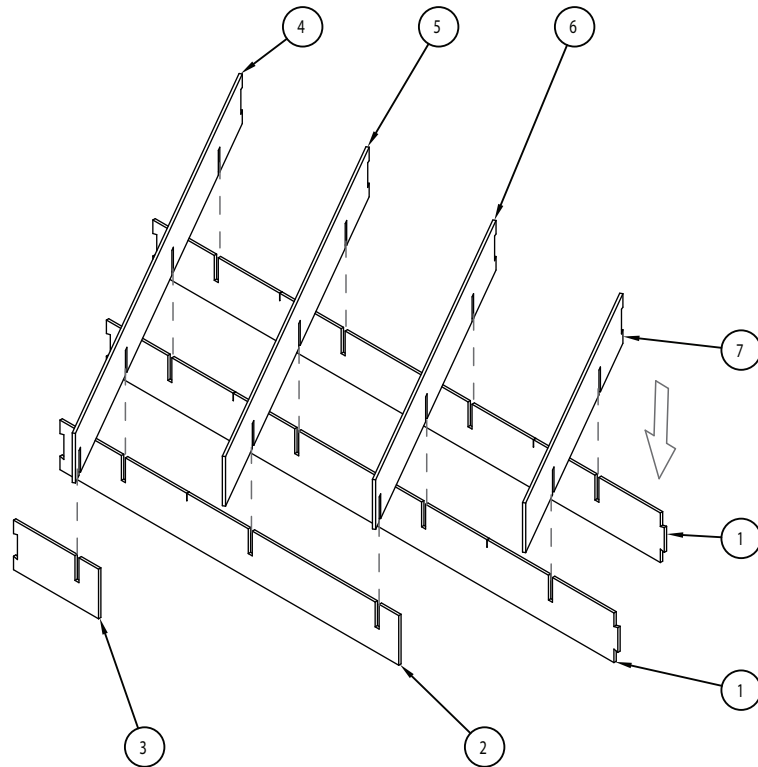
ACOUSTIC CONNECT

ASSEMBLY METHOD - CIRRUS 2A

STEP 14

14) Interlock blades 1 to 7 as shown below. This will be a loose fit until step 15 is complete.

NOTE direction of dovetail joins

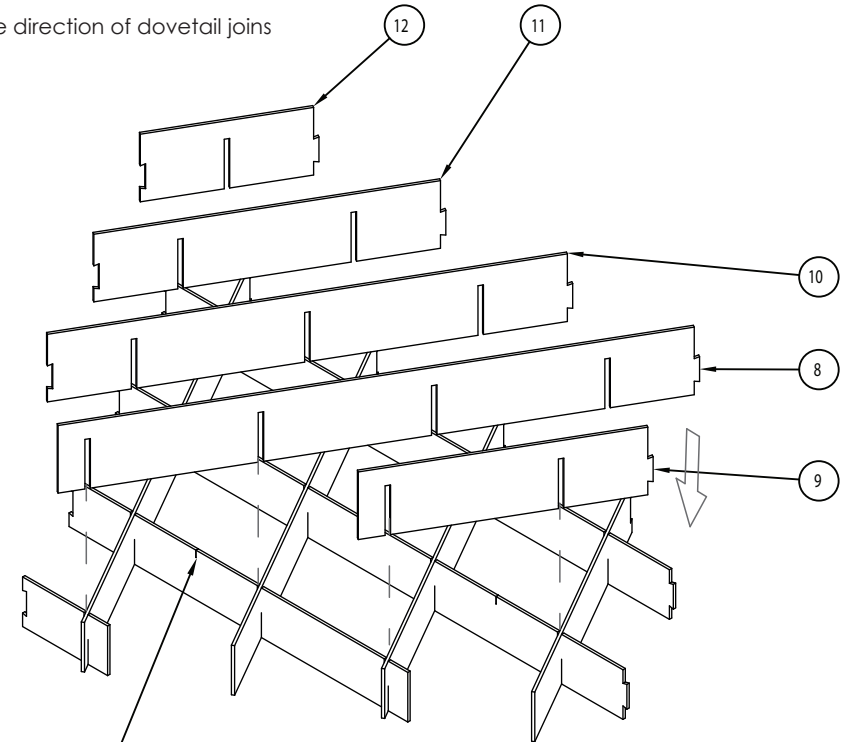


STEP 15

15) Interlock blades 8-12 into assembly as shown. Slot will slide over intersection of blades 1 to 7. This will lock in any lateral movement.

Fit S-hooks into precut slit in Zintra profile

NOTE note direction of dovetail joins



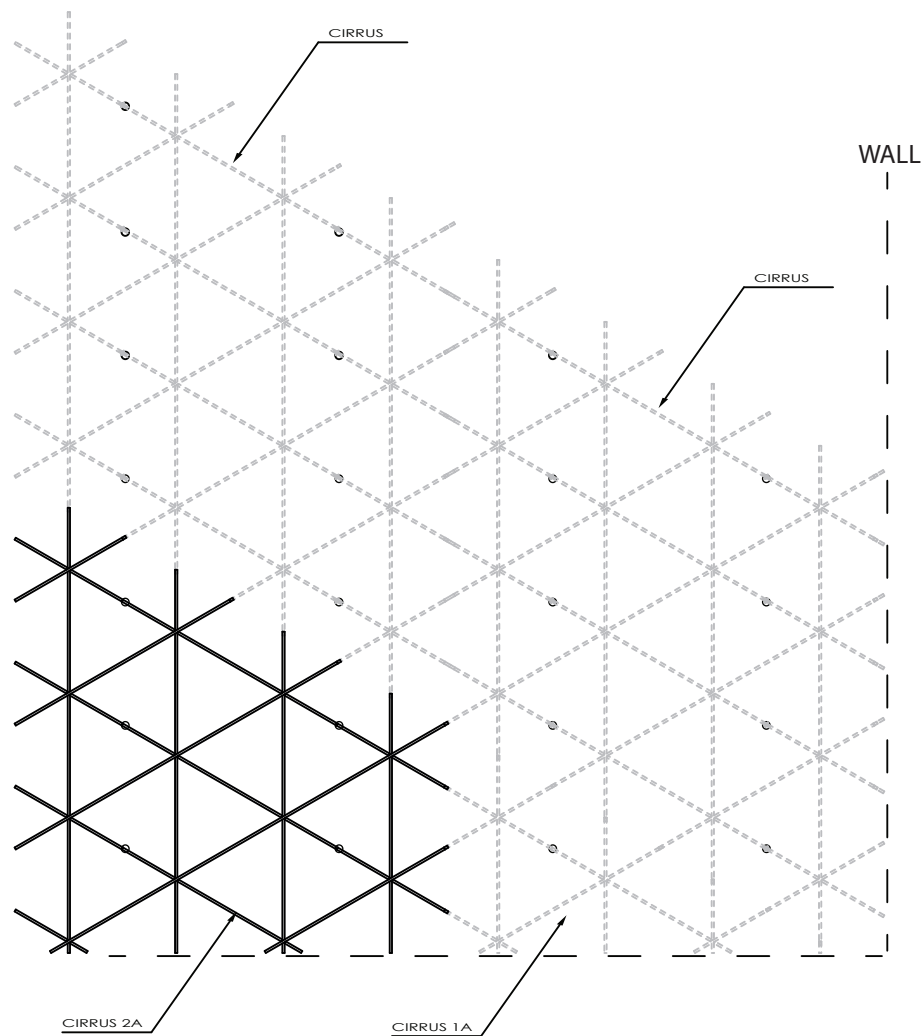
NOTE LOCATION OF
S-HOOK SLITS
5 OFF PER ASSEMBLY

ACOUSTIC CONNECT

INSTALL METHOD

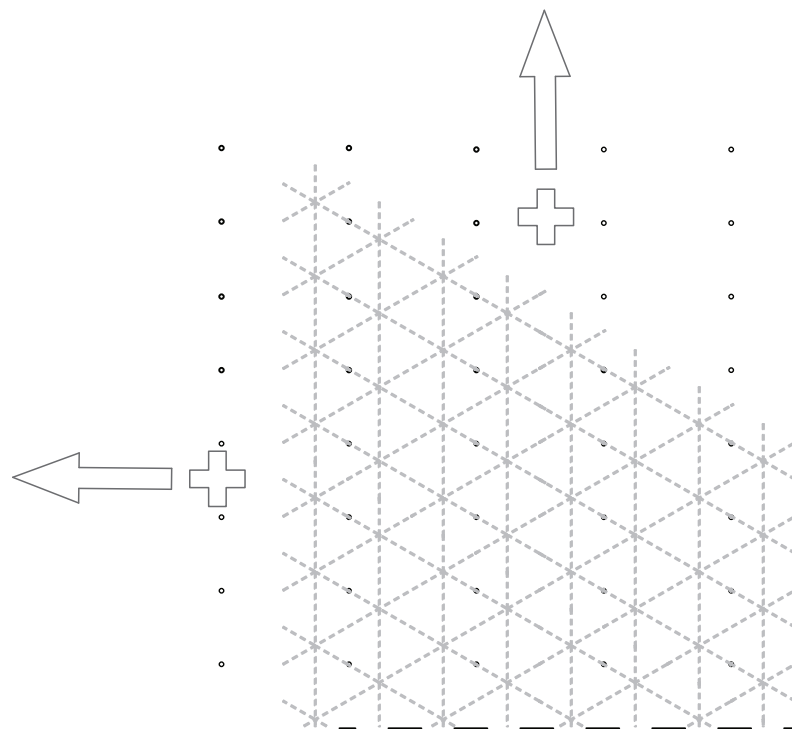
STEP 16

16) Fit assembly to adjacent system installed in step 13. Locate dovetail joins and press fit together



STEP 17

17) Repeat steps 9 - 16 and install in both directions across room until meeting opposite walls or terminating system

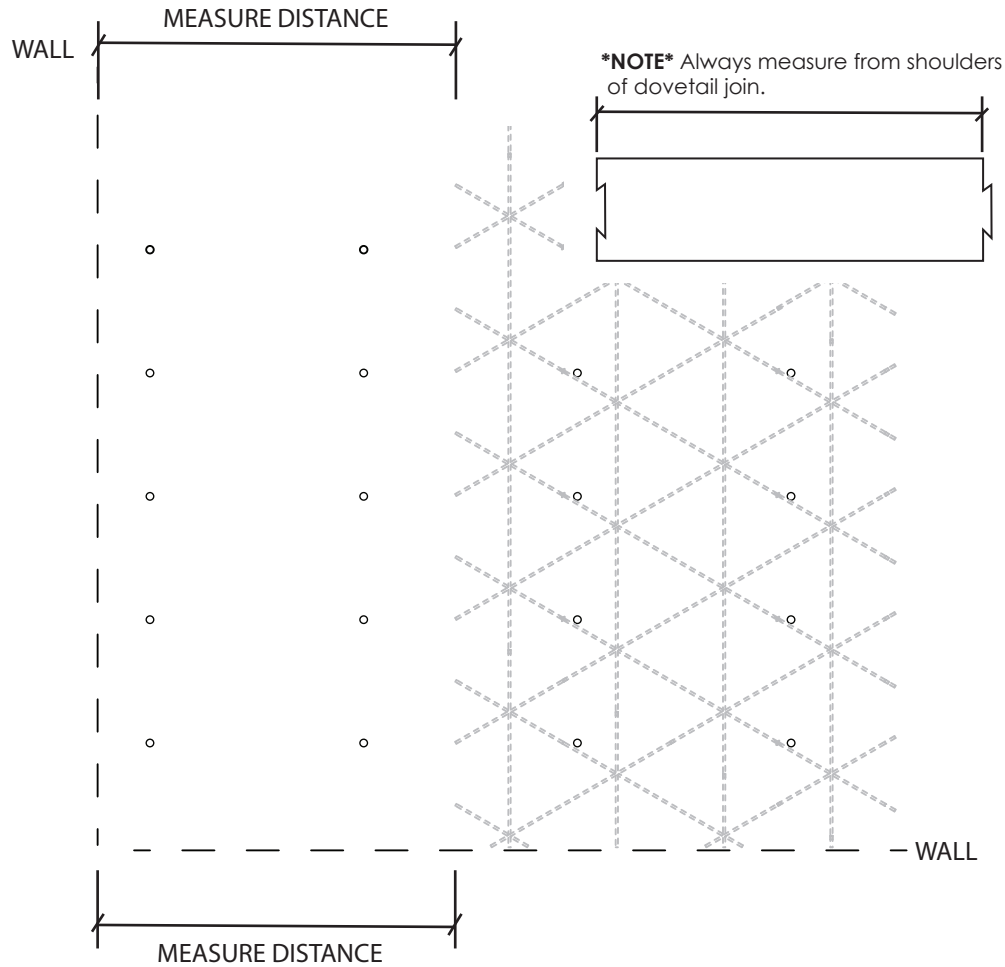


ACOUSTIC CONNECT

INSTALL METHOD - SCRIBE TO WALL

STEP 18

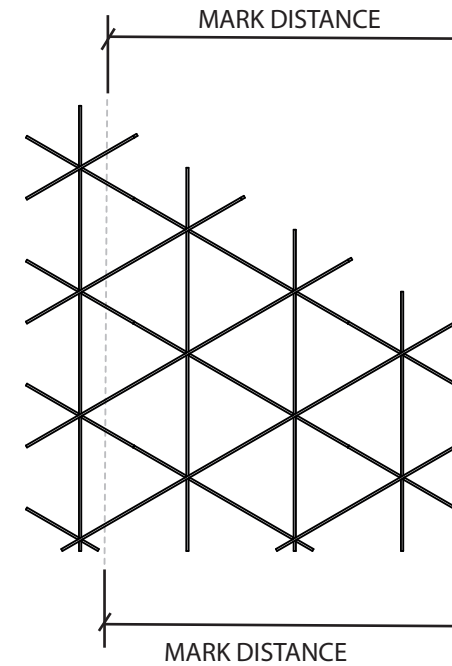
18) Measure distance from end of installed system to terminating wall (or terminating location if not butting up against a wall).
Be sure to measure both ends of the system to be sure walls are square to assembly. We would recommend leaving an express gap of 10-20mm to minimise the impact of any bowing in the wall.



STEP 19

19) Mark distance on terminating assembly top edge. A laser will help to keep markings in a straight line.

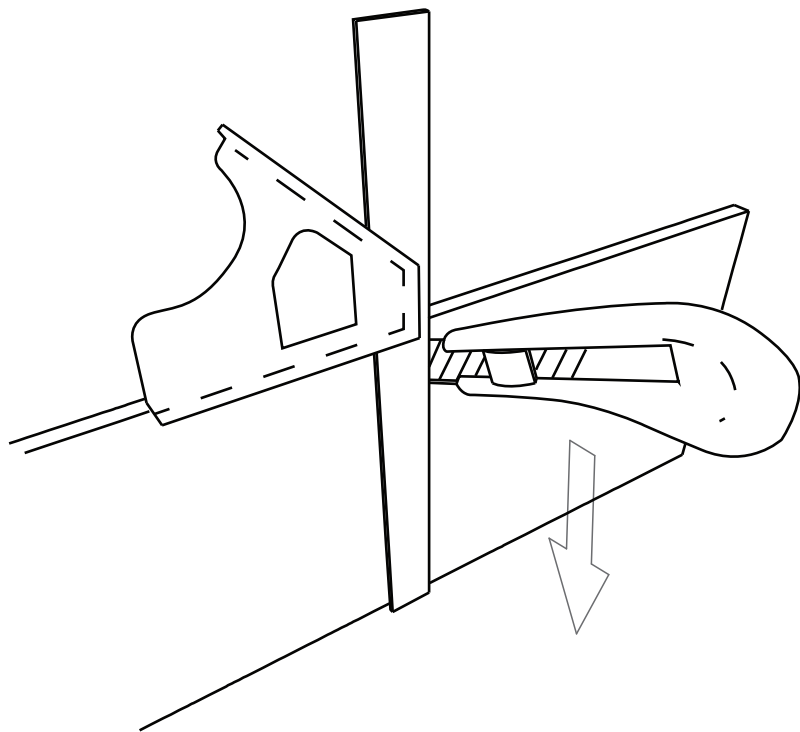
NOTE measure and mark from shoulders of dovetail



ACOUSTIC CONNECT INSTALL METHOD

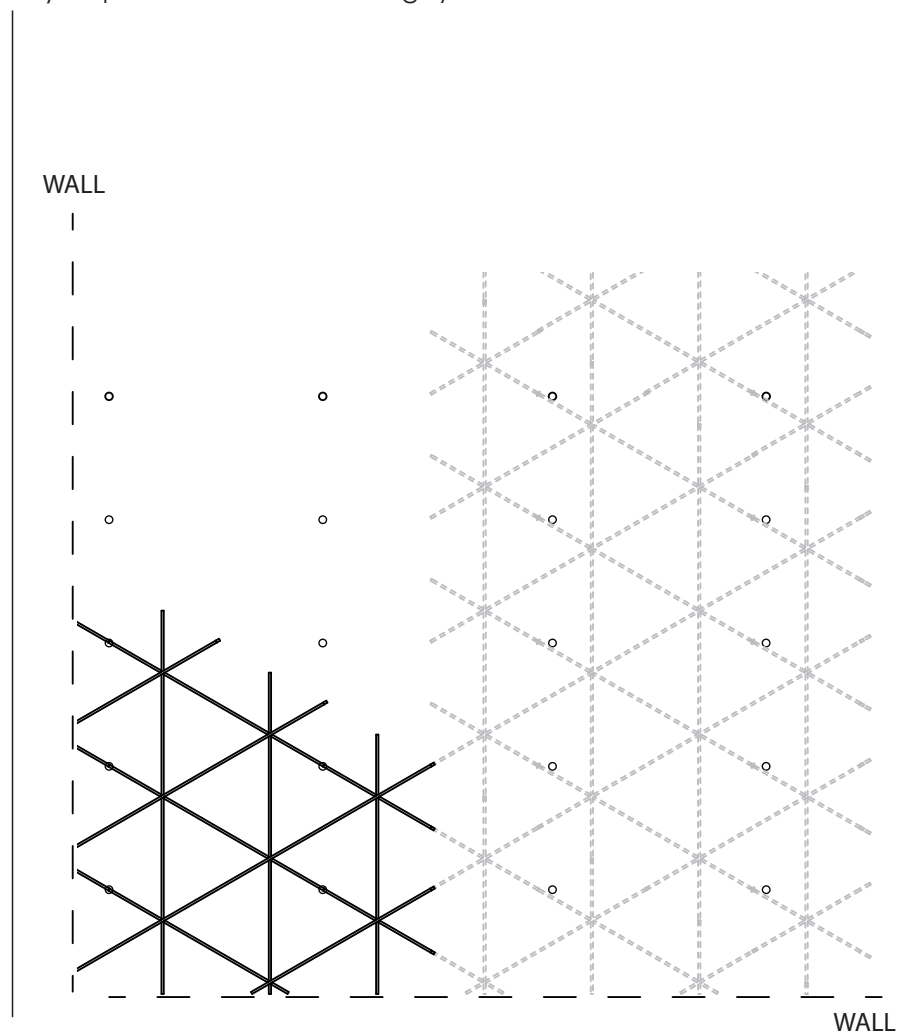
STEP 20

20) Using stanley knife and square / straight edge trim excess at marked point. A downward angle and pressure on the blade will make cutting easier.



STEP 21

21) Suspend corner terminating system.

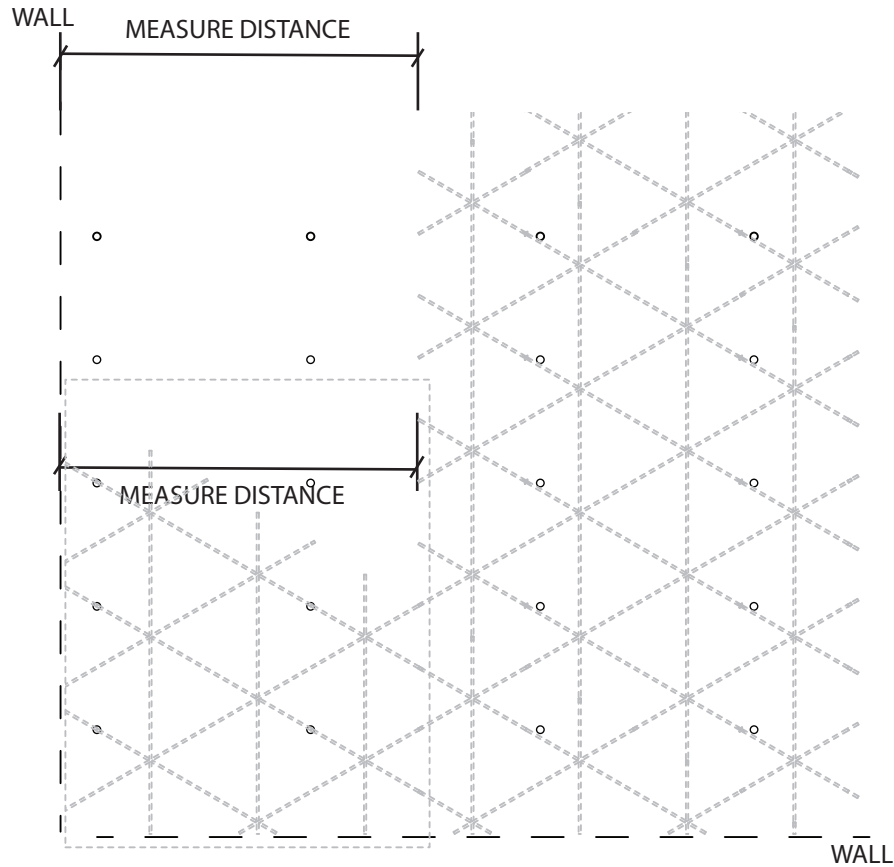


ACOUSTIC CONNECT

INSTALL METHOD - SCRIBE TO WALL

STEP 22

22) Measure distance from end of installed system to terminating wall (or terminating location if not butting up against a wall). Be sure to measure both ends of the system to be sure walls are square to assembly. We would recommend leaving an express gap of 10-20mm to minimise the impact of any bowing in the wall.

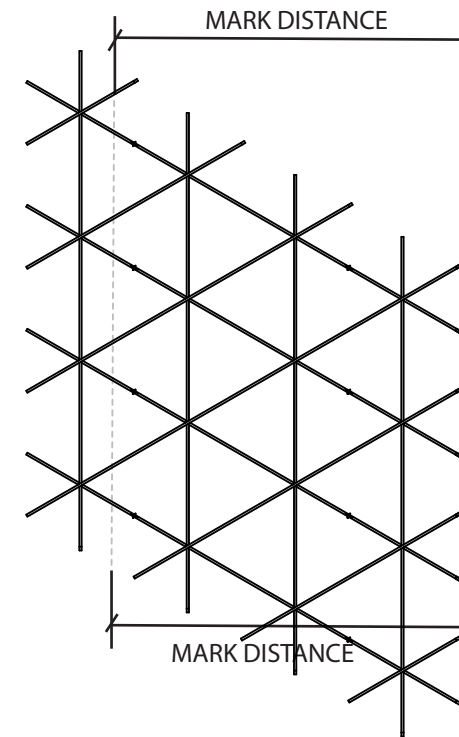


STEP 23

23) Mark distance on terminating assembly top edge. A laser will help to keep markings in a straight line.

Cut to size as per step 20.

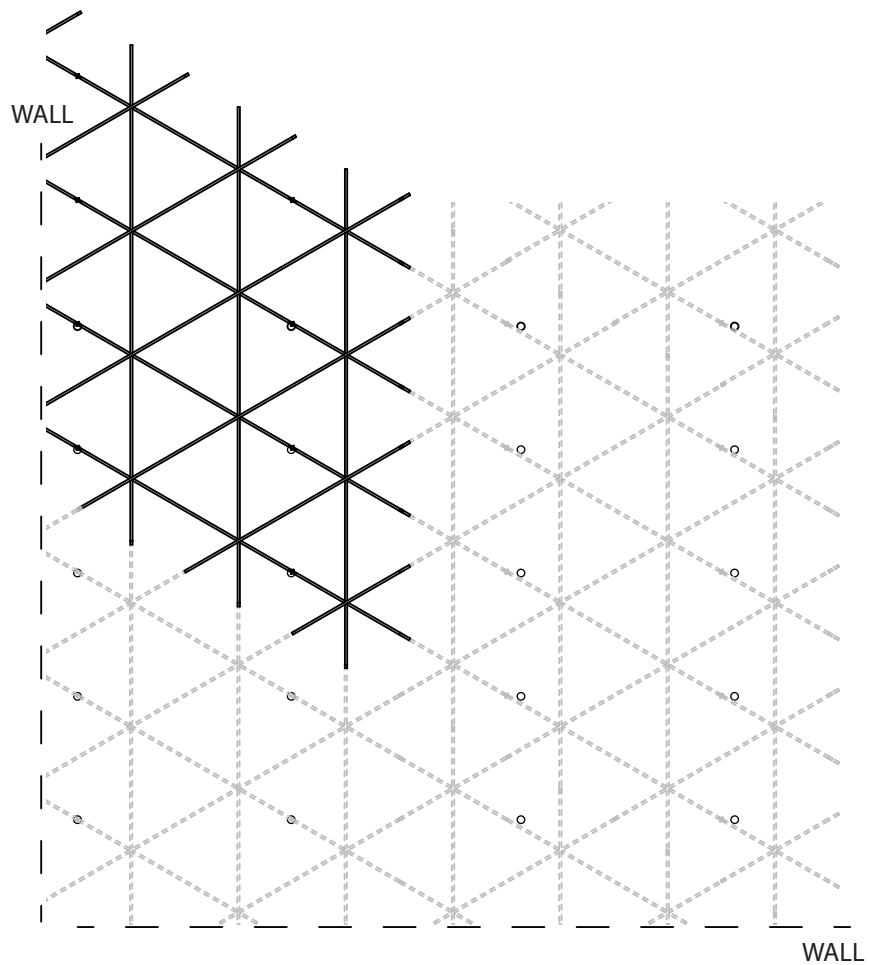
NOTE Mark and measure from the shoulders of dovetail



ACOUSTIC CONNECT INSTALL METHOD

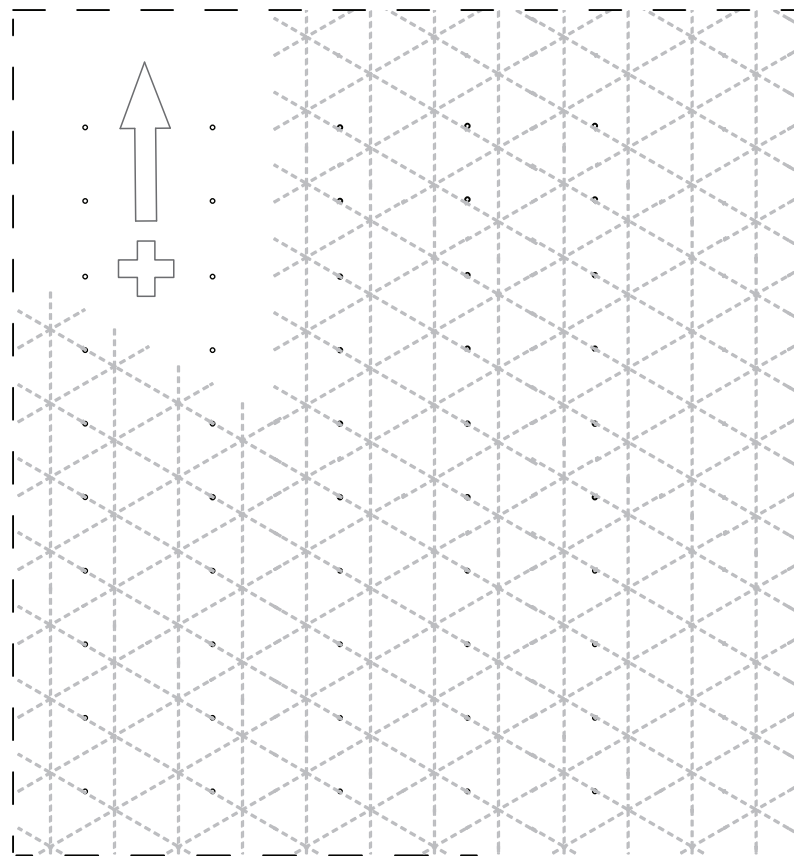
STEP 24

24) Suspend middle terminating system



STEP 25

25) Repeat steps 23-23 and install all terminating systems until full ceiling is covered

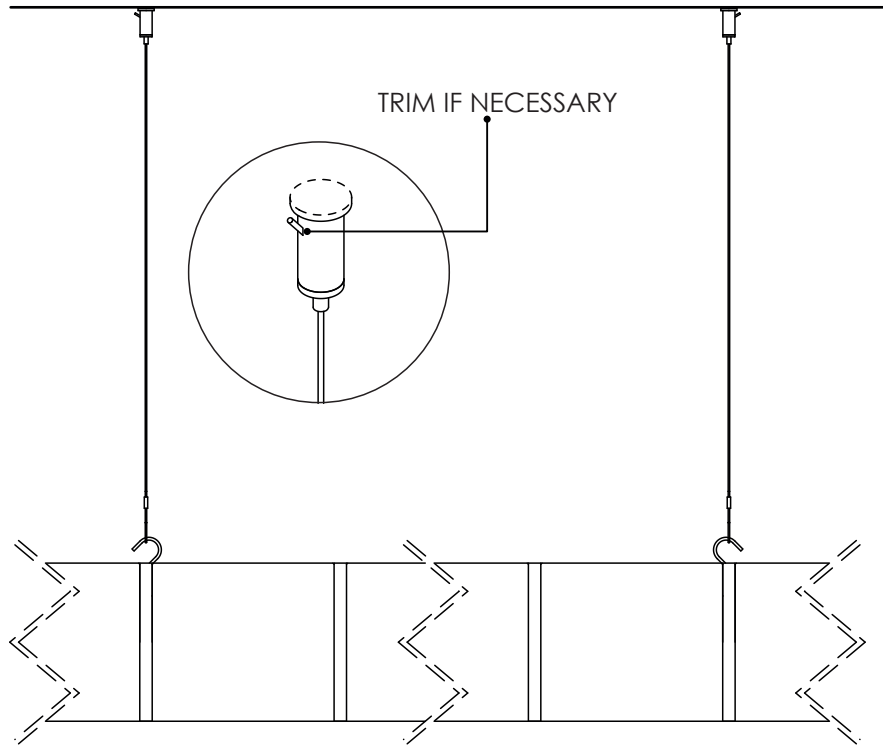


ACOUSTIC CONNECT

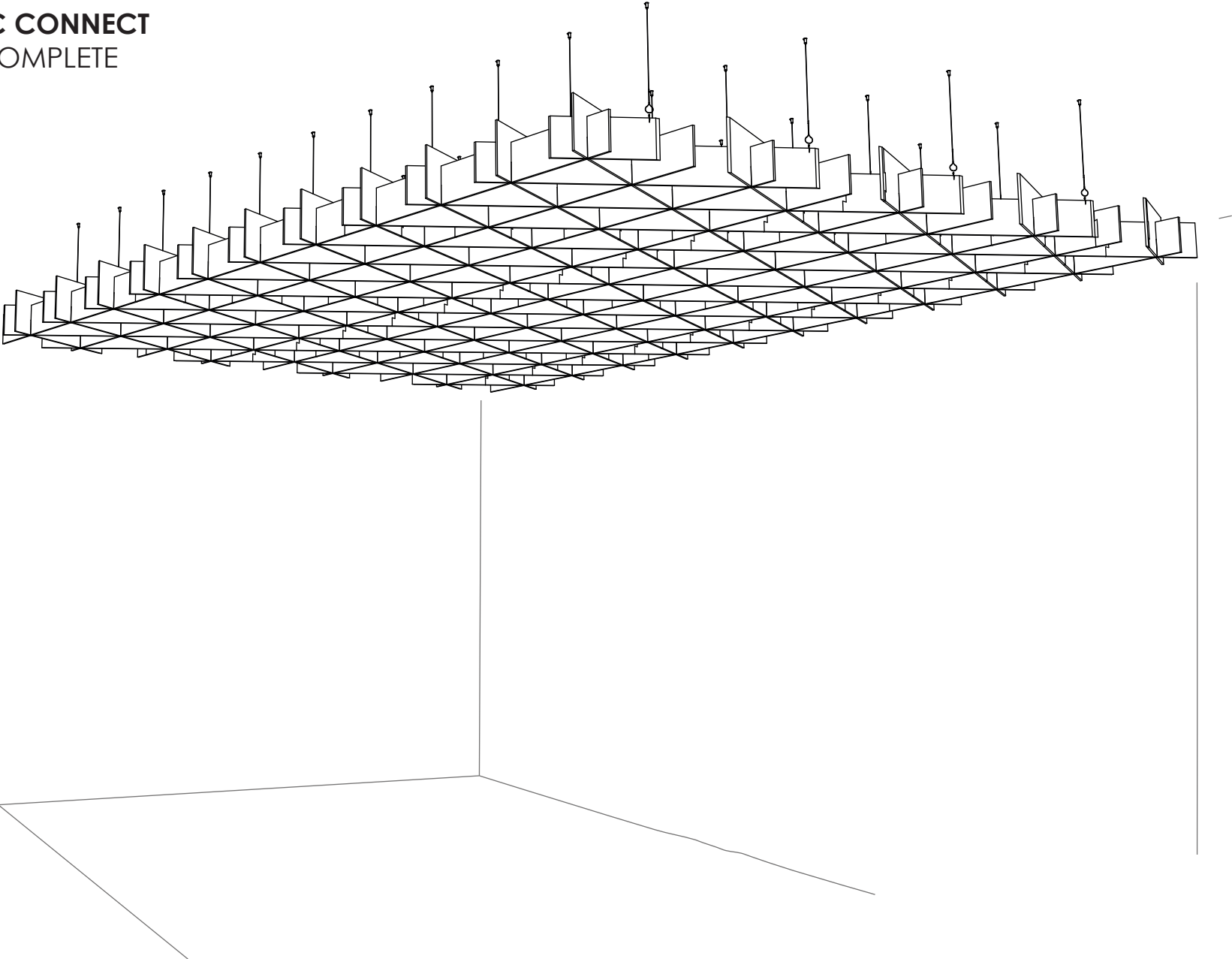
INSTALL METHOD

STEP 26

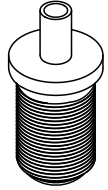
26) Re-adjust wire length as explained in STEP 6 until entire assembly hangs level. Trim excess wire for a neat finish.



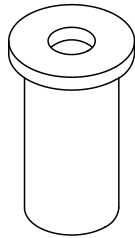
ACOUSTIC CONNECT
INSTALL COMPLETE



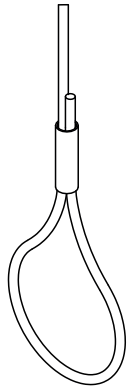
**ACOUSTIC CONNECT -
CIRRUS**
PARTS (PER SYSTEM)



WIRE ADJUSTER
CIRRUS - 8 OFF



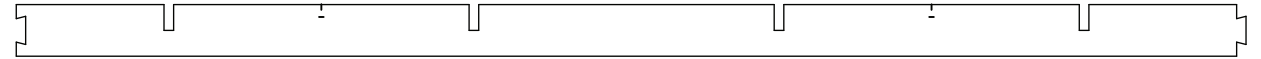
HANGER HEAD
CIRRUS - 8 OFF



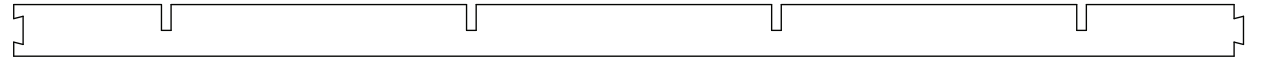
SWAGED WIRE
CIRRUS - 8 OFF



'S' HOOK
CIRRUS - 8 OFF



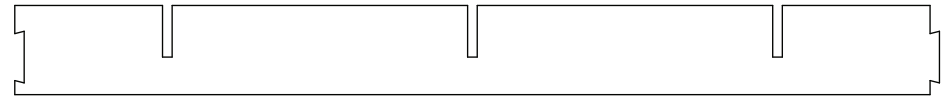
PROFILE 1
4 OFF



PROFILE 2
4 OFF



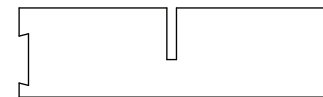
PROFILE 3
1 OFF



PROFILE 4
2 OFF



PROFILE 5
2 OFF

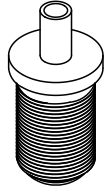


PROFILE 6
2 OFF

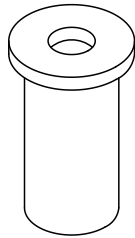


CAP
8 OFF

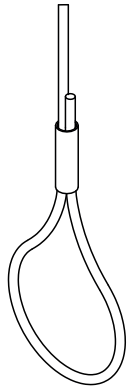
**ACOUSTIC CONNECT -
CIRRUS 1A**
PARTS (PER SYSTEM)



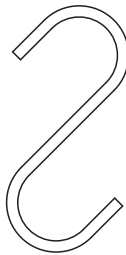
WIRE ADJUSTER
CIRRUS 1A - 1 OFF



HANGER HEAD
CIRRUS 1A - 1 OFF



SWAGED WIRE
CIRRUS 1A - 1 OFF



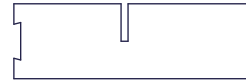
'S' HOOK
CIRRUS 1A - 1 OFF



PROFILE 1
1 OFF



PROFILE 2
1 OFF



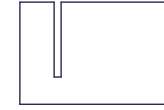
PROFILE 3
1 OFF



PROFILE 4
1 OFF



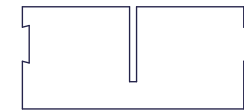
PROFILE 5
1 OFF



PROFILE 6
1 OFF



PROFILE 7
1 OFF

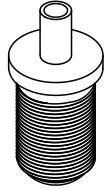


PROFILE 8
1 OFF

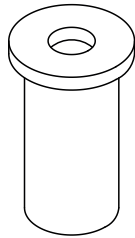


CAP
1 OFF

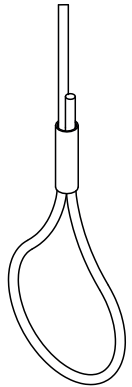
**ACOUSTIC CONNECT -
CIRRUS 2A**
PARTS (PER SYSTEM)



WIRE ADJUSTER
CIRRUS 2A - 5 OFF



HANGER HEAD
CIRRUS 2A - 5 OFF



SWAGED WIRE
CIRRUS 2A - 5 OFF



'S' HOOK
CIRRUS 2A - 5 OFF



PROFILE 1
2 OFF



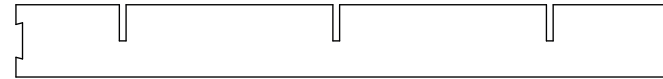
PROFILE 2
1 OFF



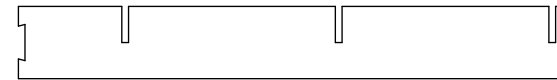
PROFILE 3
1 OFF



PROFILE 4
1 OFF



PROFILE 5
1 OFF



PROFILE 6
1 OFF



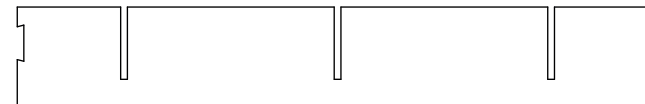
PROFILE 7
1 OFF



PROFILE 8
1 OFF



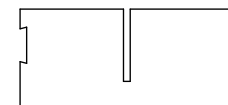
PROFILE 9
1 OFF



PROFILE 10
1 OFF



PROFILE 11
1 OFF



PROFILE 12
1 OFF